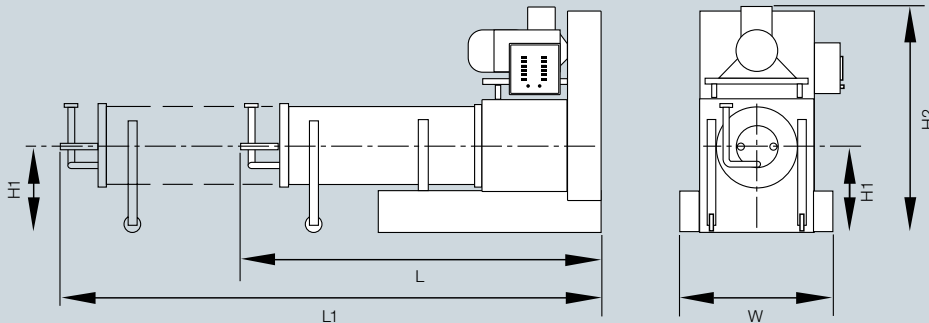


Technical Data Centex™.



Specification	Centex™ T4	Centex™ T5
Drive:	160–200 kW	250–315 kW
EcoMizer™ disc:	DraisResist™, optional DraisElast™	DraisElast™
Stator tube:	DraisResist™, optional DraisElast™/Stainless steel	DraisElast™, optional DraisResist™/Stainless steel
Inner liner exchangeable for:	DraisResist™/Stainless steel	Stainless steel
Volumes DraisResist™ (metal)		
Volume inner liner (Liter)	673	–
active chamber volume (Liter)	510	–
Volumes DraisElast™ (metal-free)		
Volume inner liner (Liter)	673	1264
active chamber volume (Liter)	493	945
Volumes DraisElast™/DraisResist™ (metal-free/metal)		
Volume inner liner (Liter)	673	1264
active chamber volume (Liter)	493	945
SuperScreen:	Stainless steel	Stainless steel
Control system:	PREMIUM	PREMIUM
Execution:	non-Ex	non-Ex
Bead size:	0.3–2 mm	0.3–2 mm
Tip speed:	~8 up to ~13 m/s	~8 up to ~13 m/s
Dimensions		
Length – L	3850 mm	4380 mm
Length – L1	6200 mm	7300 mm
Width – W	1360 mm	1360 mm
Height 1 – H1	885 mm	885 mm
Height 2 – H2	2600 mm	2650 mm
Weight: (without control cabinet)	6500 kg	9800 kg

All data are approximate. Technical alterations reserved.

Bühler AG
 CH-9240 Uzwil, Switzerland
 T +41 71 955 11 11
 F +41 71 955 31 49
 grinding.dispersion@buhlergroup.com
 www.buhlergroup.com

Buhler (Wuxi)
 Commercial Co., Ltd.
 CN-214142 Wuxi
 Jiangsu, China
 T +86 (510) 8 528 28 88
 F +86 (510) 8 528 28 89

