



Minicompact SE

**4-Roller Mill
Minicompact SE.
MDZE.**

4-Roller Mill Minicompact SE.

Combining safe and efficient crushing.

The 4-roller mill Minicompact SE (MDZE) provides optimal grist compositions for highest yields, shortest lautering times and best beer quality.



Benefits.

- High yields and reproducible grist quality
- Easy to operate
- High safety standards
- Local spare parts, service and technical support

Good malt and great beer deserve 4-rollers.

Whether malted or un-malted grains; four hardened rollers take care of your raw materials such as malt, barley, broken or white rice up to sorghum and maize grits.

The two separately adjustable passages ensure high yields, short lautering times and a maximum flexibility.

The concept and design of the Minicompact SE makes this mill the perfect allrounder for craft and medium-sized breweries and distilleries from 50 hl up to 100 hl per brew.

Grinding different malts and grains was never that easy.

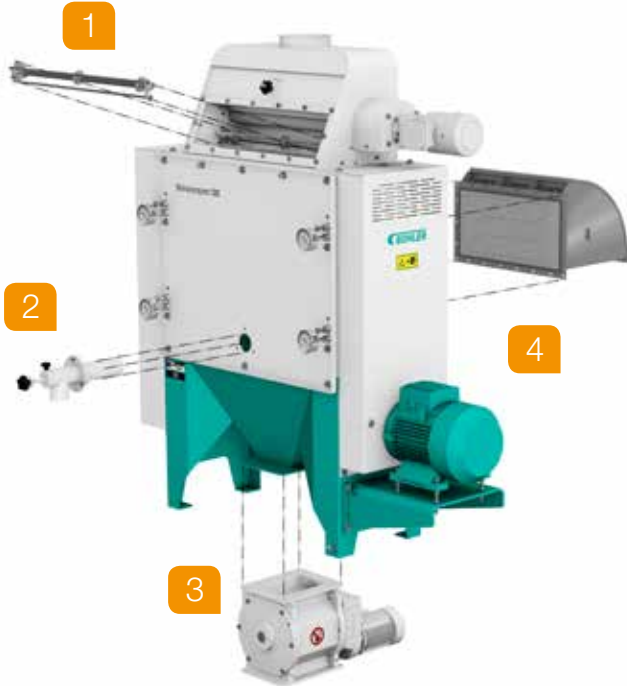
The optional two gap function allows selection of two preset roller distances for every passage. For the ideal grinding of different malts and grains, the gap distances can easily and rapidly be adapted.

The optional sampler allows safe and reproducible collection of crushed grains resulting in controlling of the grist composition.

Small footprint.

The Minicompact SE has a robust and compact design with an integrated outlet hopper. This minimizes the required space and facilitates the installation where space is limited.

Safety first. Tailored explosion protection.



- 1 - magnet
- 2 - grist sampling device*¹
- 3 - discharge airlock*¹
- 4 - flameless venting system with rupture disc*²

*¹ optional

*² food grade / FDA certified

High safety standards.

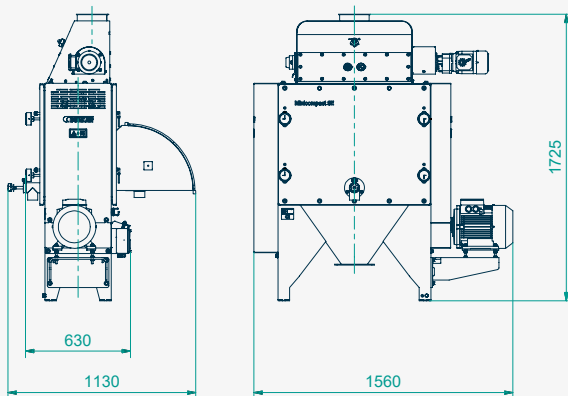
The Minicompact SE stands for safety with a proven security concept. The dust tight and pressure shock-resistant grist mill contains a permanent magnet retaining metallic objects and an emergency disengagement preventing the rollers from damage by passing foreign material. Monitoring is available for rotational speed, temperature and disengagement of the rollers in order to control the operation status of the mill. An additional blockage detector in the outlet prevents backing-up of product.

In the worst case a flameless venting system neutralizes the flame. The rupture disc is food grade and FDA certified. The optional discharge airlock prevents the explosion from spreading bringing safety to surrounding machinery and – even more important – to workers.

Additional options.

- Two Gap function to change grinding gap for different malt types
- Temperature, speed and disengagement control of the rollers
- Grist sampler
- Blockage detection

The Minicompact SE meets guidelines for use in Europe (ATEX), and North America (CSA UL).



			Minicompact SE
Number of rolls	units		4
Throughput barley malt	t/h		3.2
Throughput barley	t/h		1.0
Throughput white rice and broken rice	t/h		1-2
Throughput sorghum	t/h		2.0
Throughput maize grits	t/h		1.5
Roll length	mm		700
Roll diameter	mm		150
Motor size	kW		7.5
Motor feed roll	kW		0.37

Bühler GmbH

Grain Quality and Supply
DE-92339 Beilngries
Germany

T +49 8641 701 0
F +49 8641 701 133

grain-quality-supply@buhlergroup.com
buhlergroup.com

GQ_MF_Minicompact_Mill_MDZE_EN_14220_01